

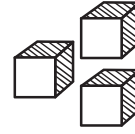
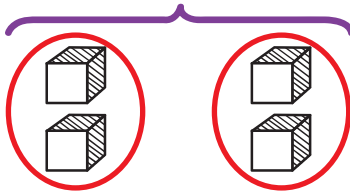
Example

equals
(=)
the same

Using the language 'equals'

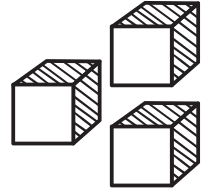
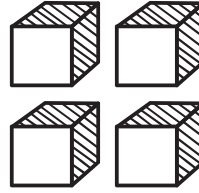
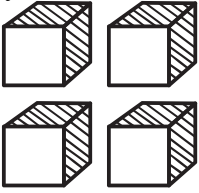
concrete/
pictorial

These amounts are equal

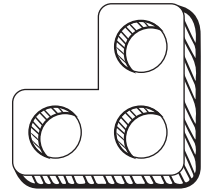
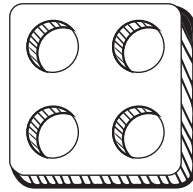
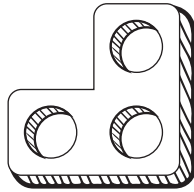
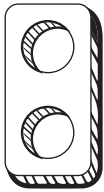


Draw a circle around the amounts that are equal

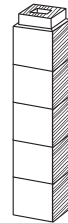
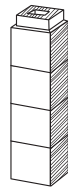
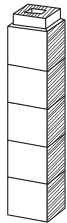
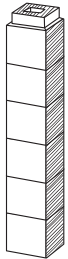
a)



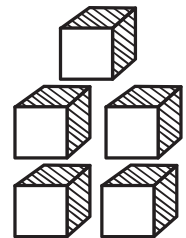
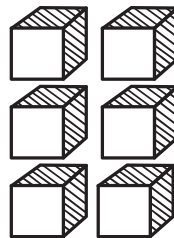
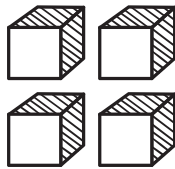
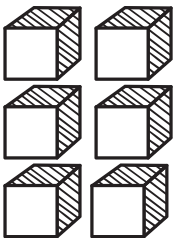
b)



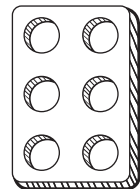
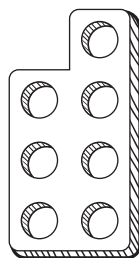
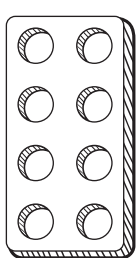
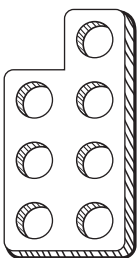
c)



d)



e)



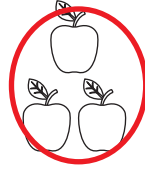
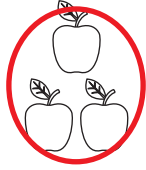
Example

Using the language 'equals'

pictorial

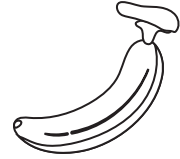
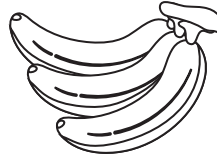
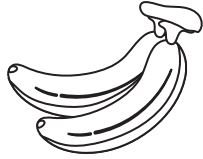
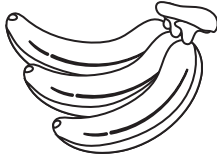
equals
(=)
the same

There are three apples in each circle.
They are an equal amount

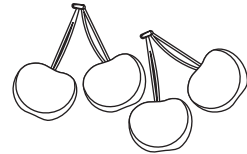
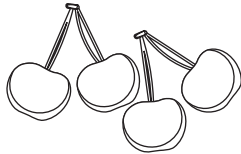
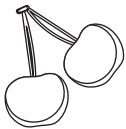


Draw a circle around the amounts that are equal

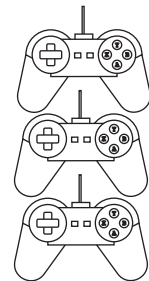
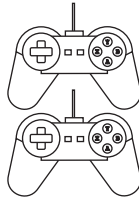
a)



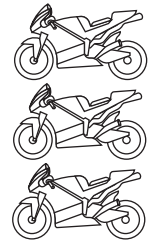
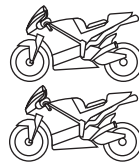
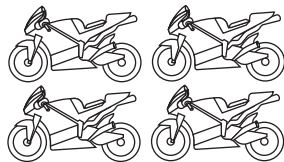
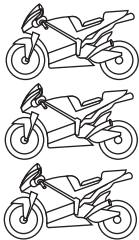
b)



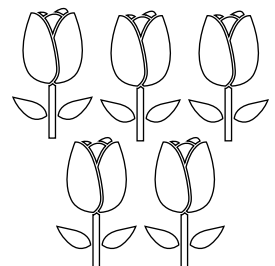
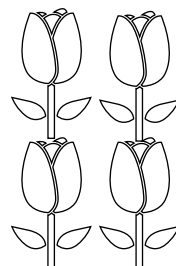
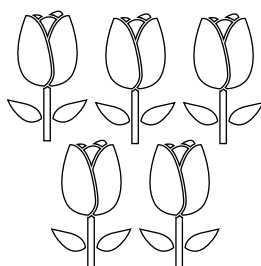
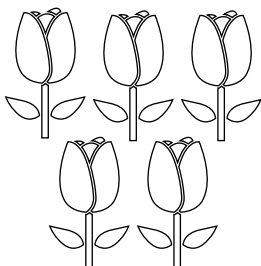
c)



d)



e)



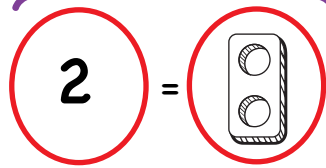
Example

Using the language 'equals'

concrete/
abstract

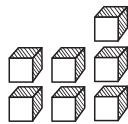
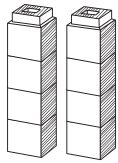
equals
(=)
the same

They have the same value

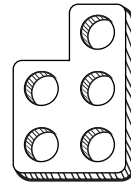


Draw a circle around the amounts that are equal

a)

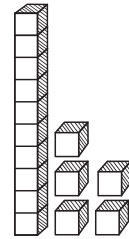
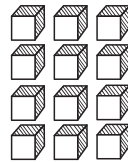
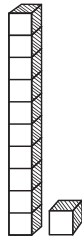


8



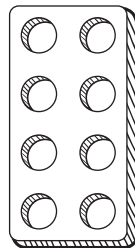
b)

15

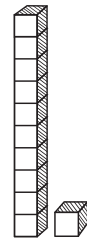


c)

(9 + 1)

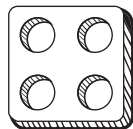


10

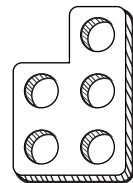


d)

(6 - 1)

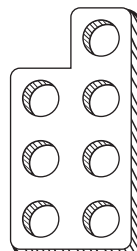
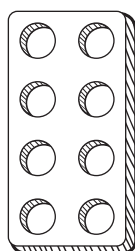


(3 + 2)



e)

(9 - 1)



(9 + 1)

ExampleUsing the language 'equals'

abstract

equals
(=)
the same

- answer the question in the brackets ()
- circle the amounts that are equal

$$\textcircled{3}$$
$$\textcircled{(2+1)}$$

$$5$$
$$(1+4)$$

$$\textcircled{3}$$
$$\textcircled{(4-1)}$$

$$\textcircled{3}$$

Draw a circle around the amounts that are equal

a)

$(5 + 1)$

4

$(3 + 2)$

6

b)

$(8 - 4)$

2

8

$(1 + 3)$

c)

12

$(9 + 1)$

$(10 + 2)$

11

d)

$(10 + 4)$

13

$(3 + 12)$

14

e)

$(13 + 2)$

$(16 - 3)$

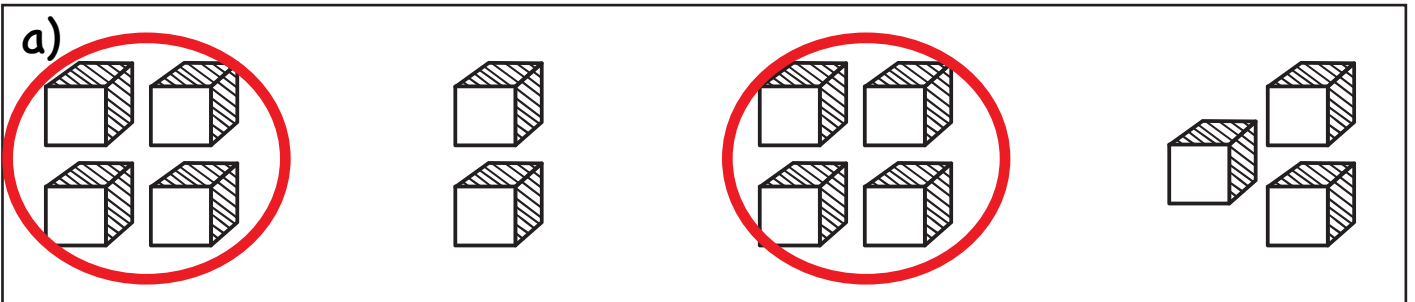
$(13 + 0)$

13

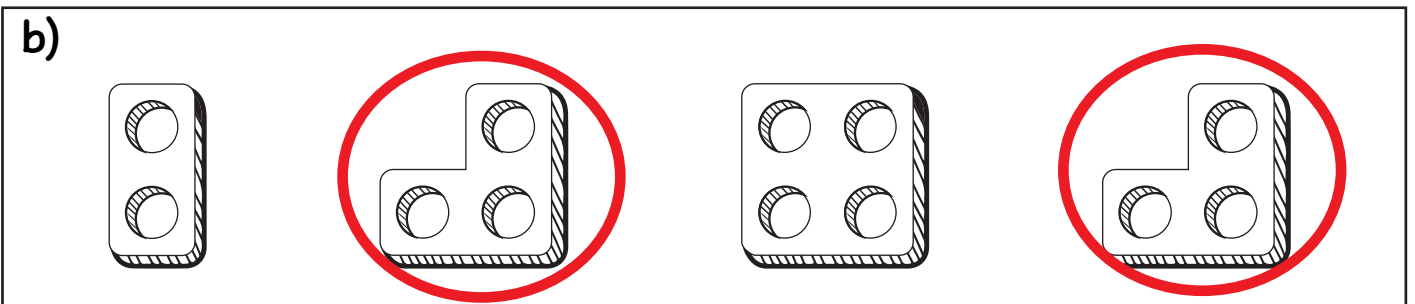
Answers

Draw a circle around the amounts that are equal

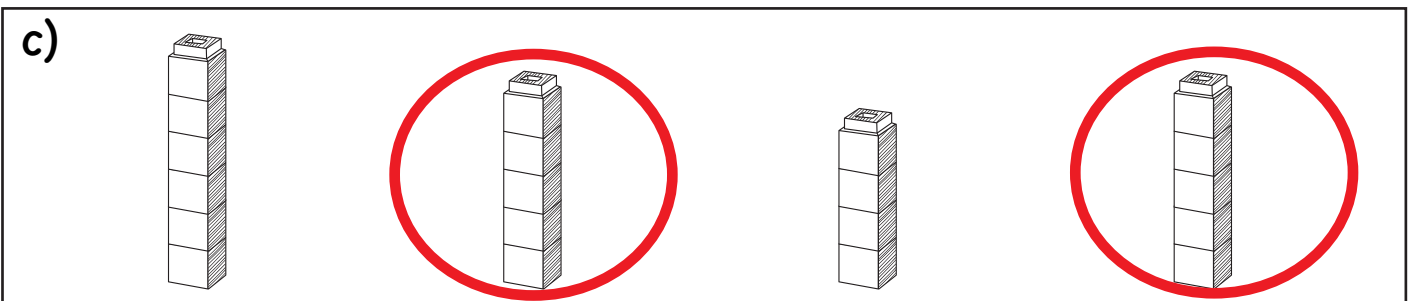
a)



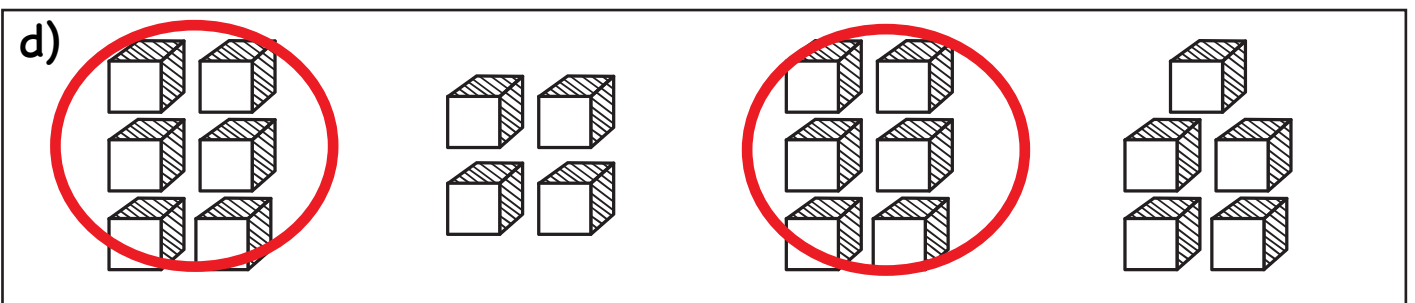
b)



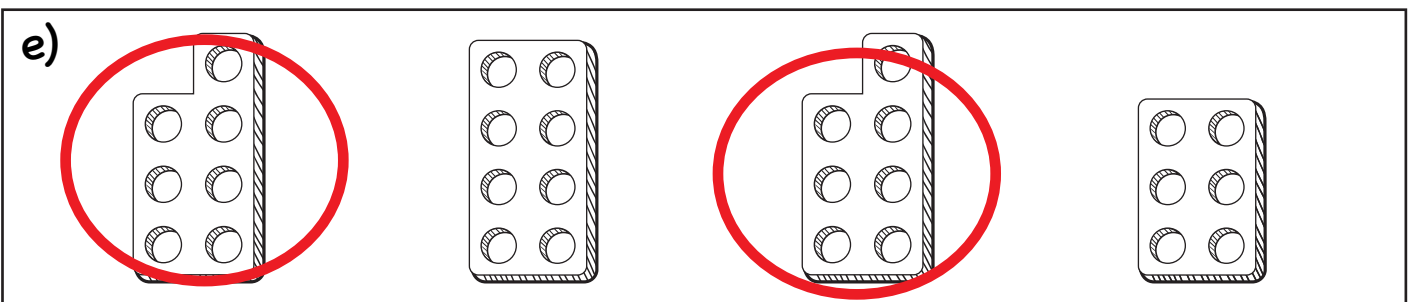
c)



d)



e)



Answers

Draw a circle around the amounts that are equal

a)

b)

c)

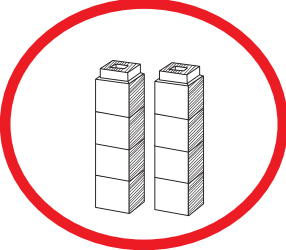
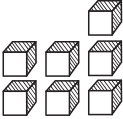
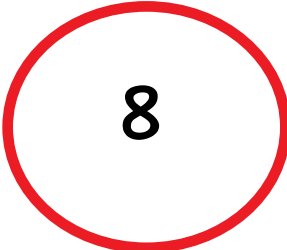
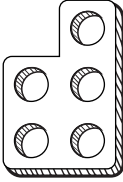
d)

e)

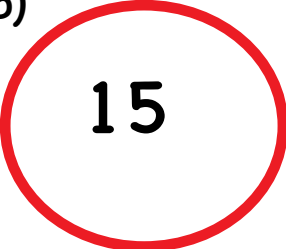
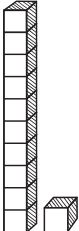
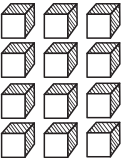
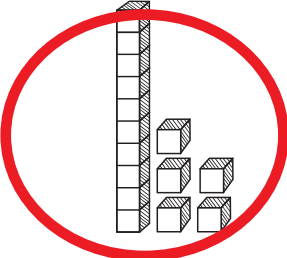
Answers

Draw a circle around the amounts that are equal

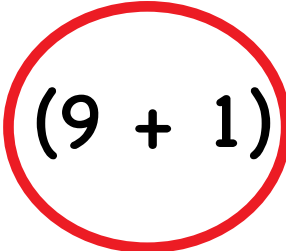
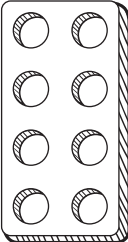
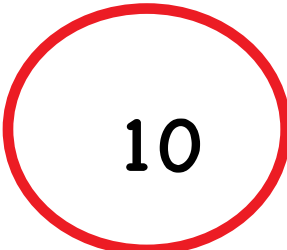
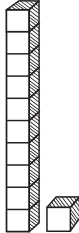
a)

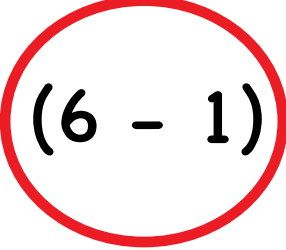
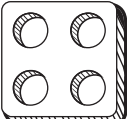
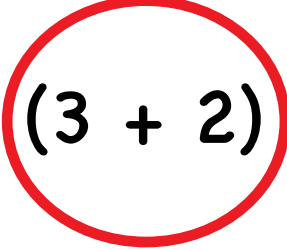
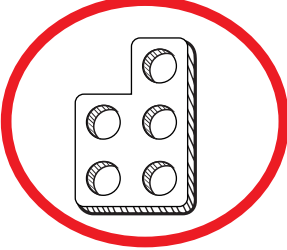
b)

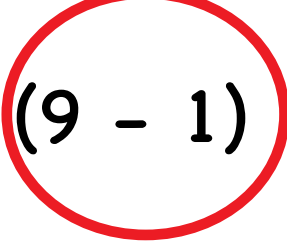
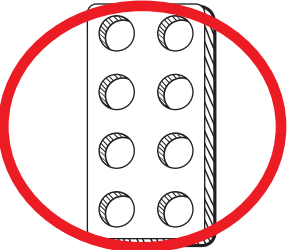
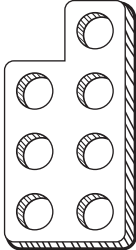

c)

d)

e)

Answers

Draw a circle around the amounts that are equal

a)

$(5 + 1)$

4

$(3 + 2)$

6

b)

$(8 - 4)$

2

8

$(1 + 3)$

c)

12

$(9 + 1)$

$(10 + 2)$

11

d)

$(10 + 4)$

13

$(3 + 12)$

14

e)

$(13 + 2)$

$(16 - 3)$

$(13 + 0)$

13